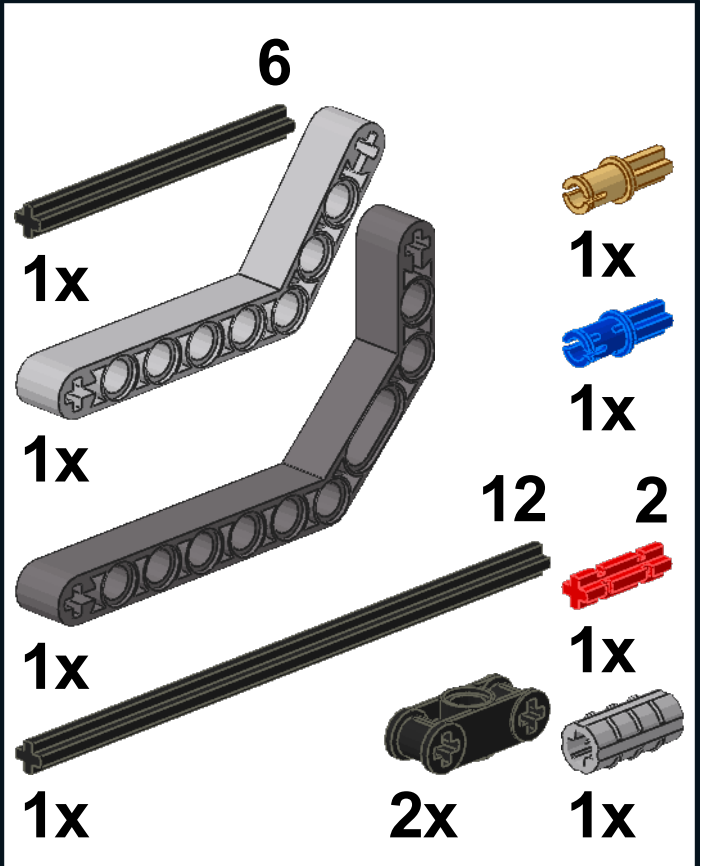


1

6



1x

1x

1x

1x

1x

12

2

1x

2x

1x

Detailed description: This block contains a list of LEGO parts for step 1. On the left, there are four grey Technic beams: a 6-hole beam, a 6-hole beam with a 1-hole notch, a 12-hole beam with a 1-hole notch, and a 12-hole beam. To the right of these are several pins and connectors: a tan axle pin, a blue axle pin, a red axle pin, a black axle connector, and a grey axle connector. The quantities for each part are listed next to them: 1x for the 6-hole beam, 1x for the 6-hole beam with notch, 1x for the 12-hole beam with notch, 1x for the 12-hole beam, 1x for the tan axle pin, 1x for the blue axle pin, 2 for the red axle pin, 1x for the black axle connector, and 2x for the grey axle connector.



2

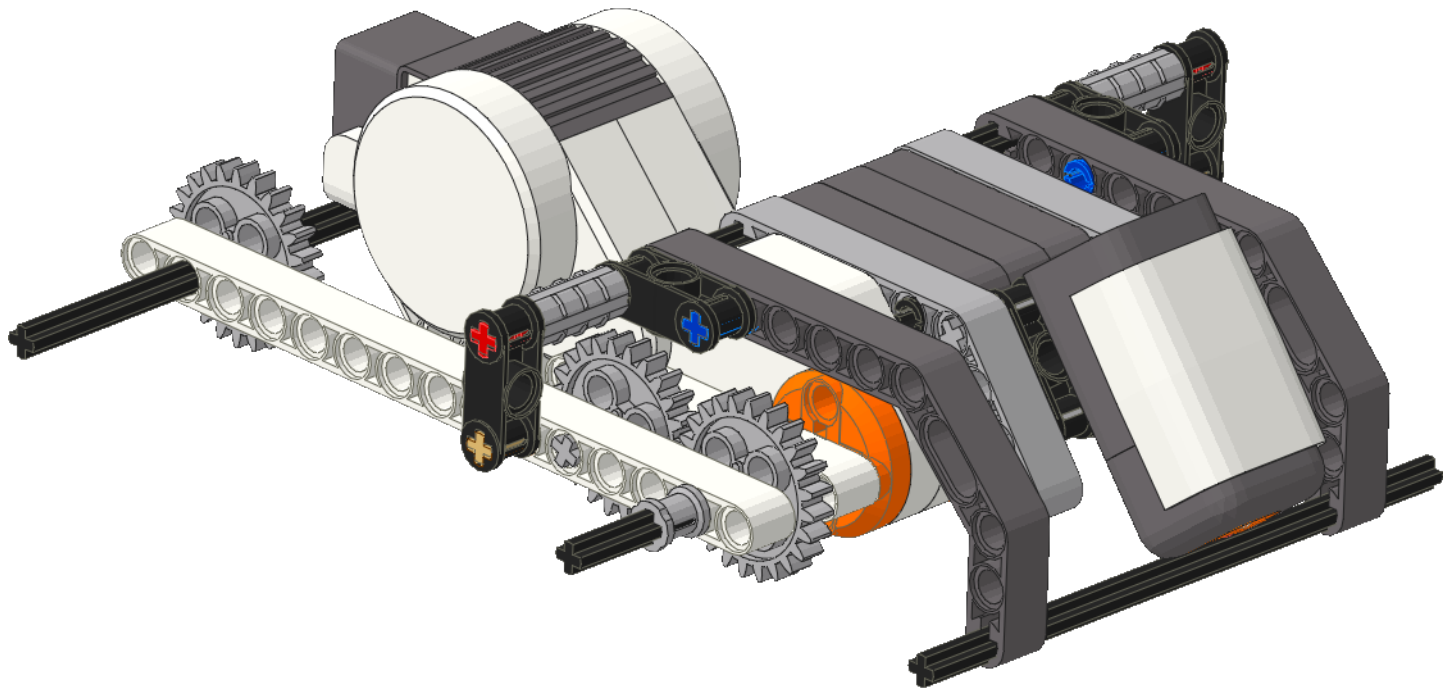
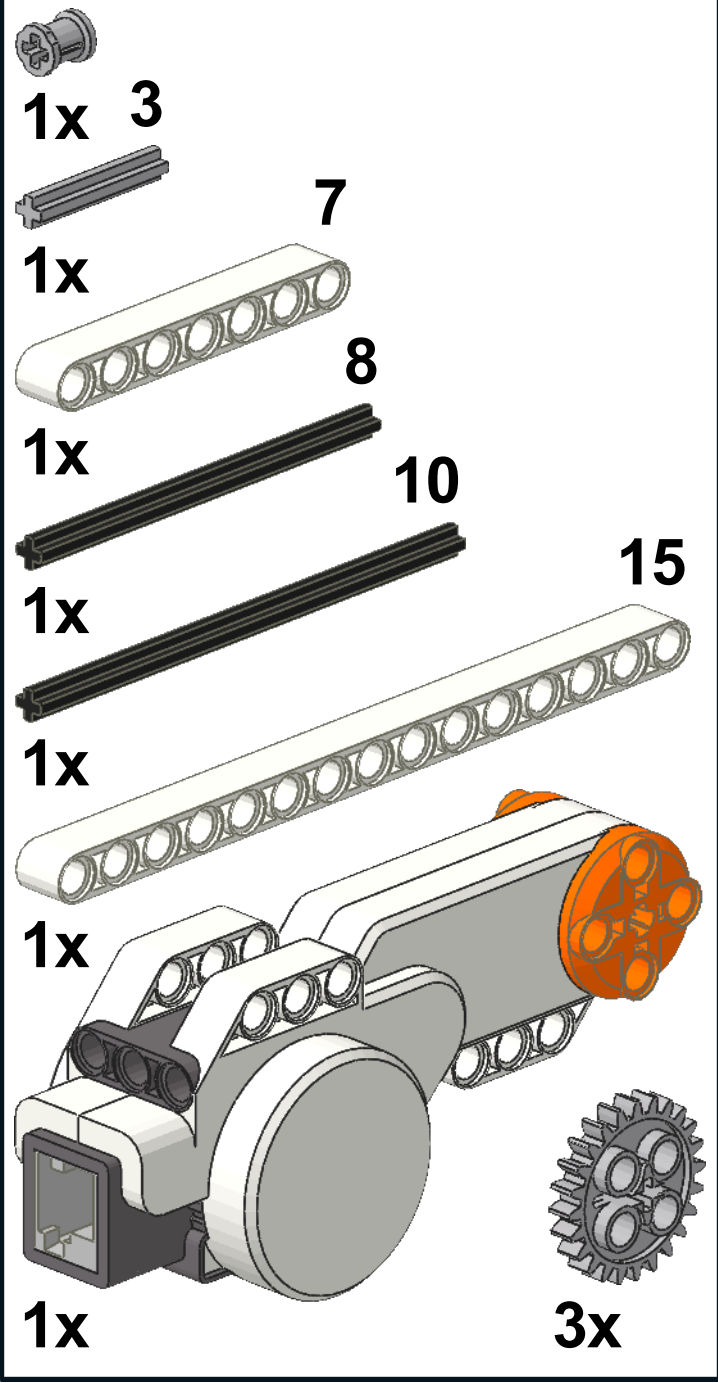
- 5
1x
- 6
1x
- 1x
- 1x
- 1x
- 2x
- 1x
- 1x
- 1x
- 1x
- 2
- 1x
- 1x




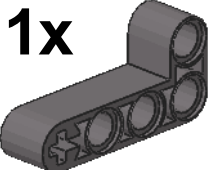
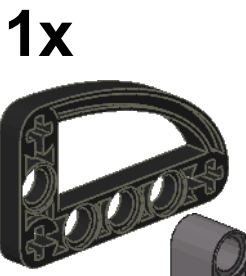
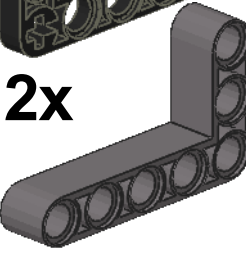



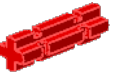


3

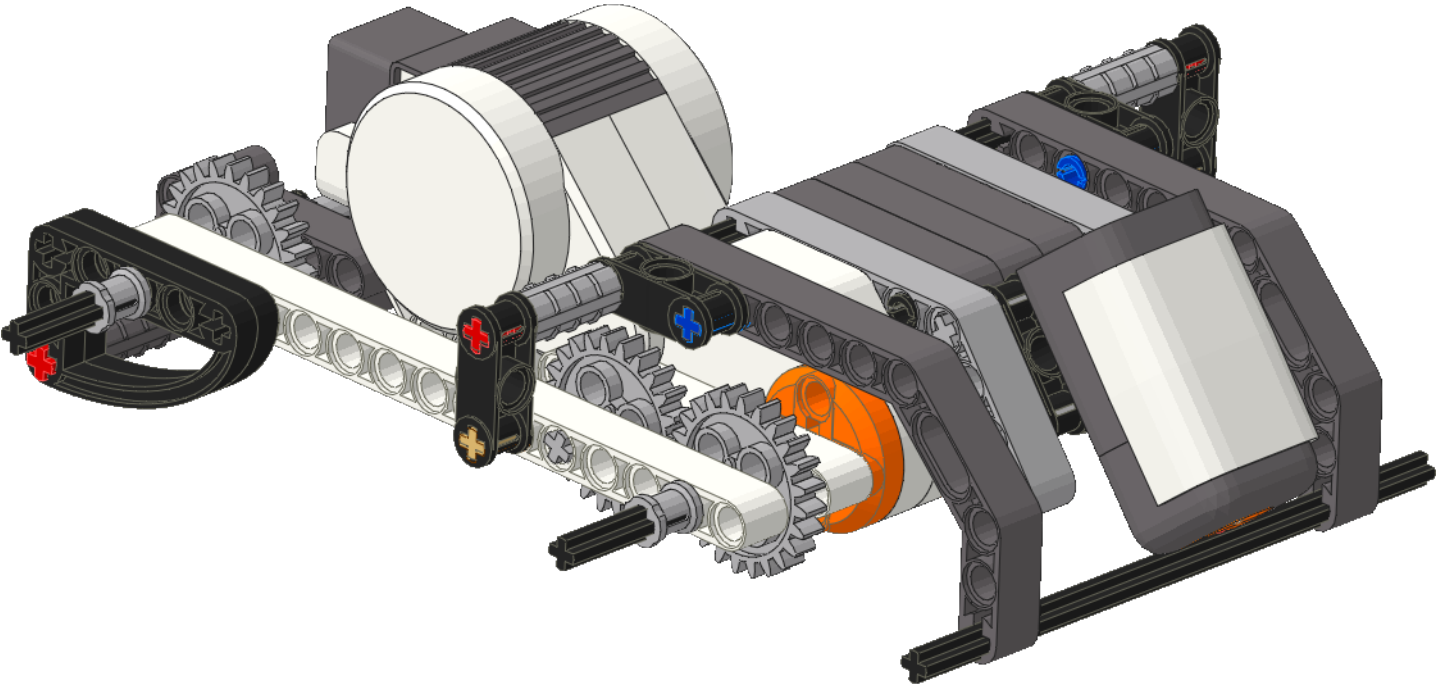


4

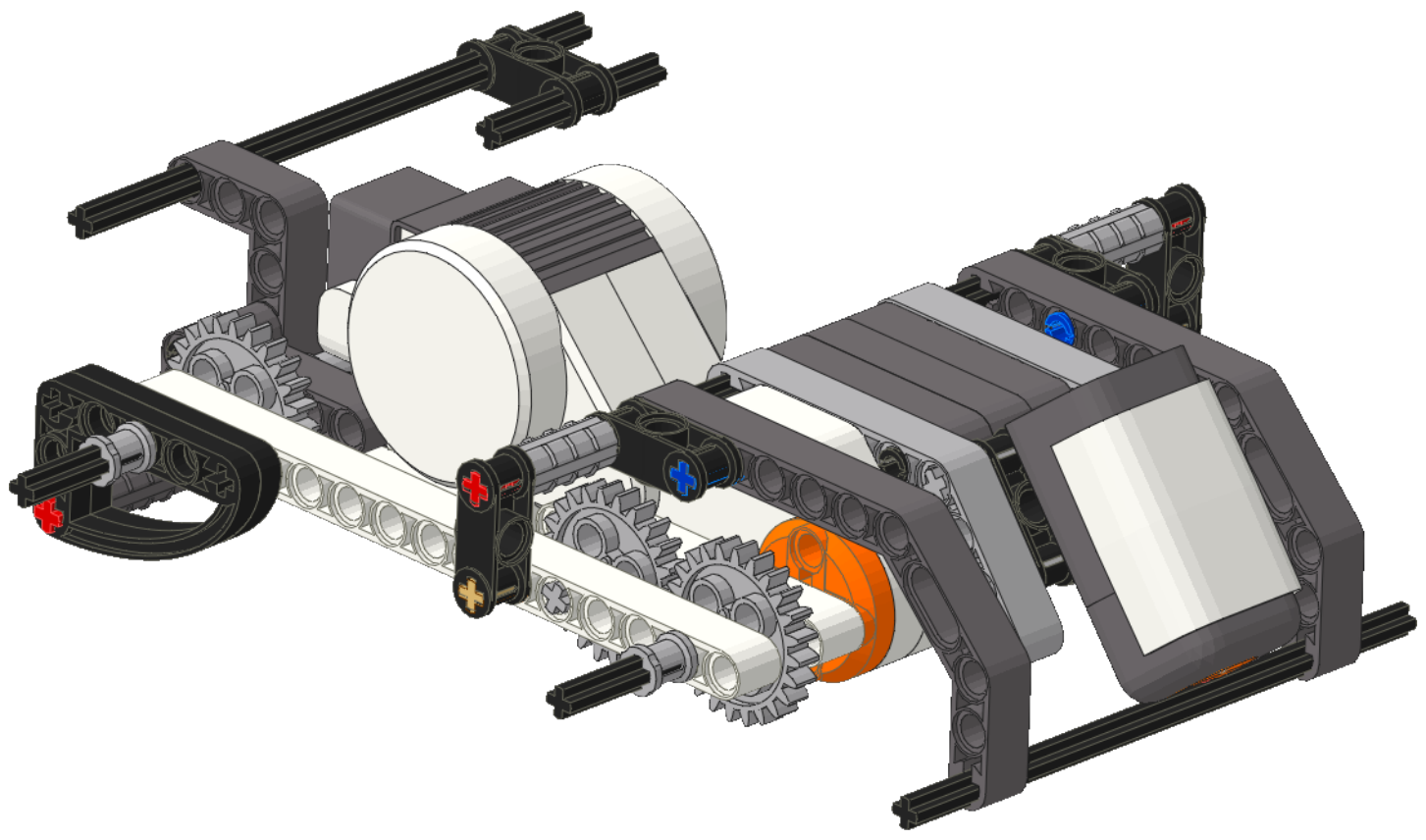
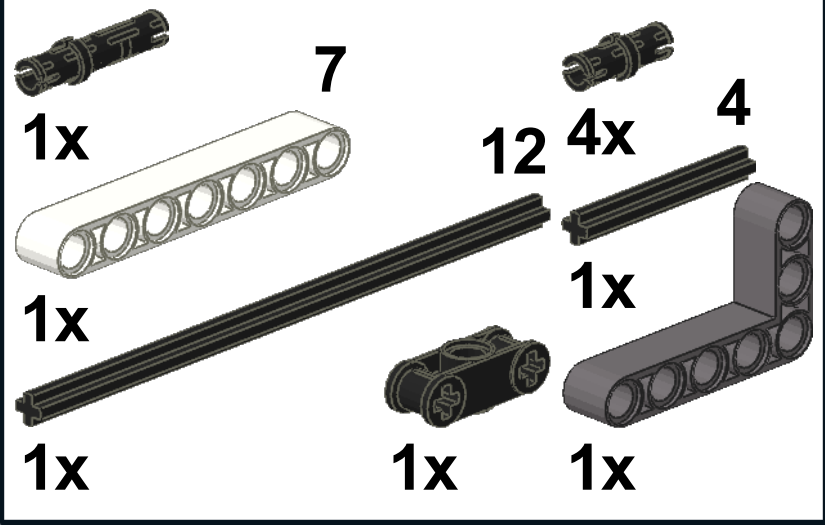


5

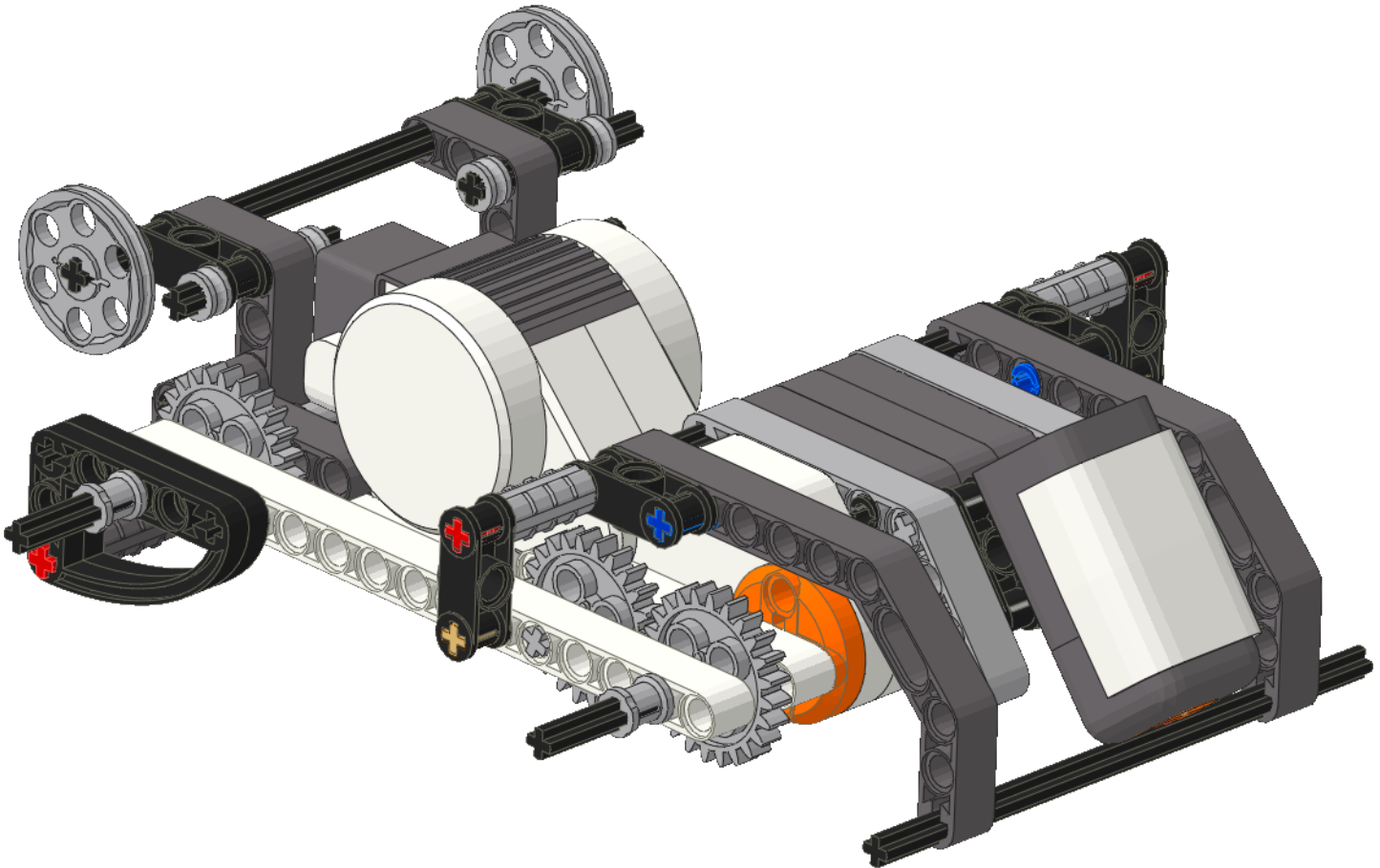
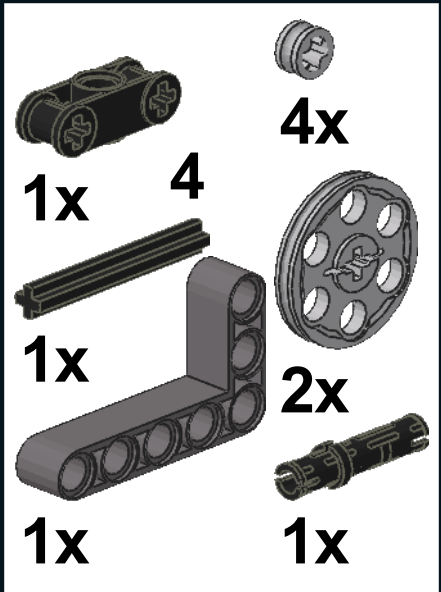
- 1x 
- 1x 
- 1x 
- 2x 
- 1x 
- 2x 
- 1x 
- 1x 
- 1x 
- 1x 



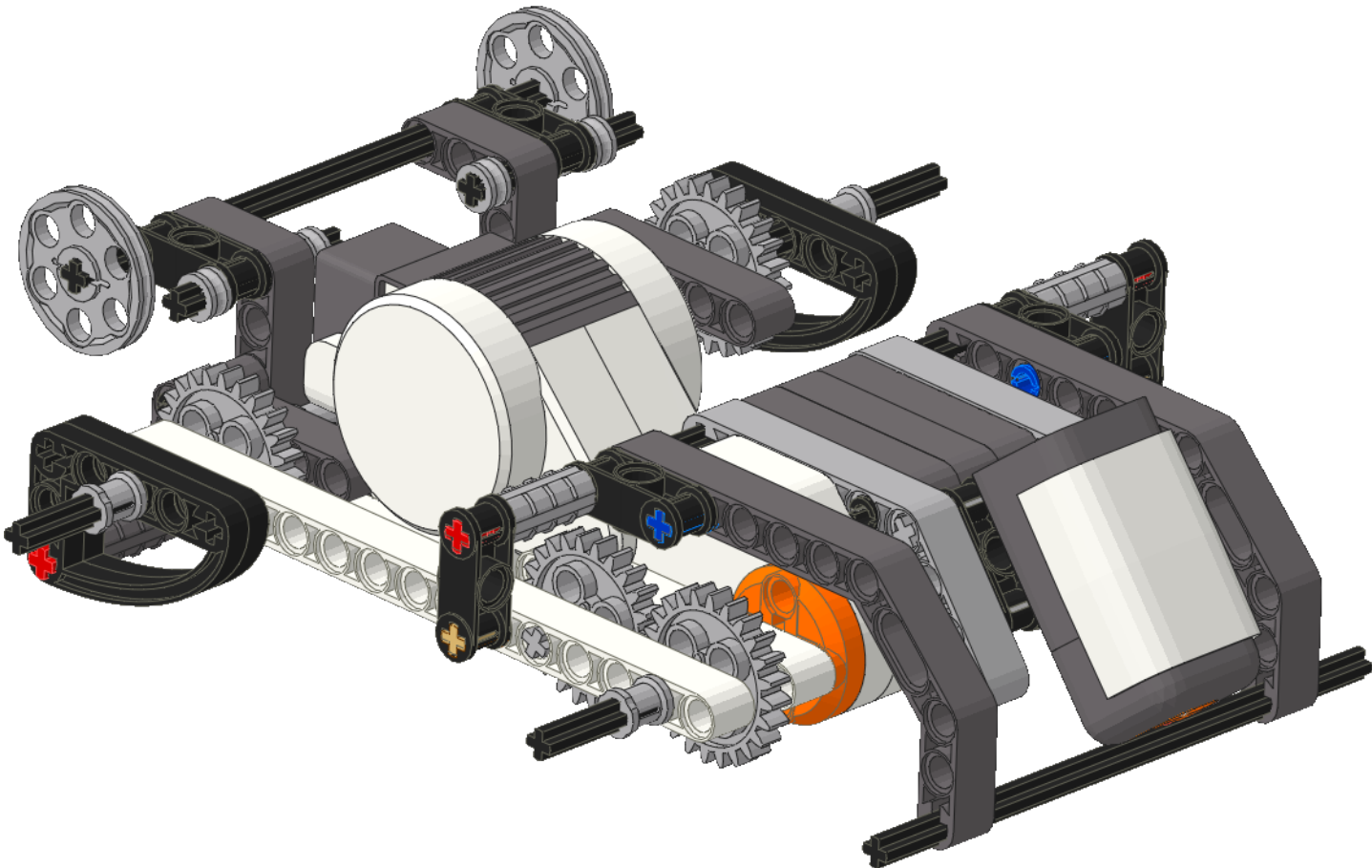
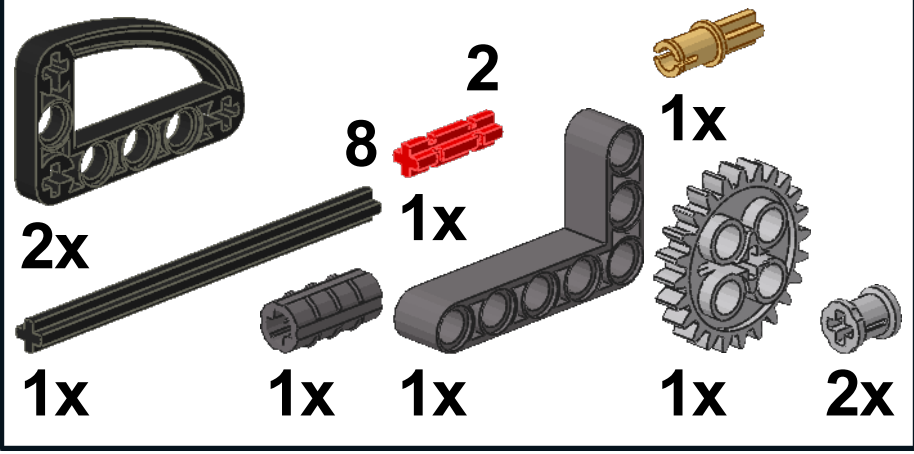
6



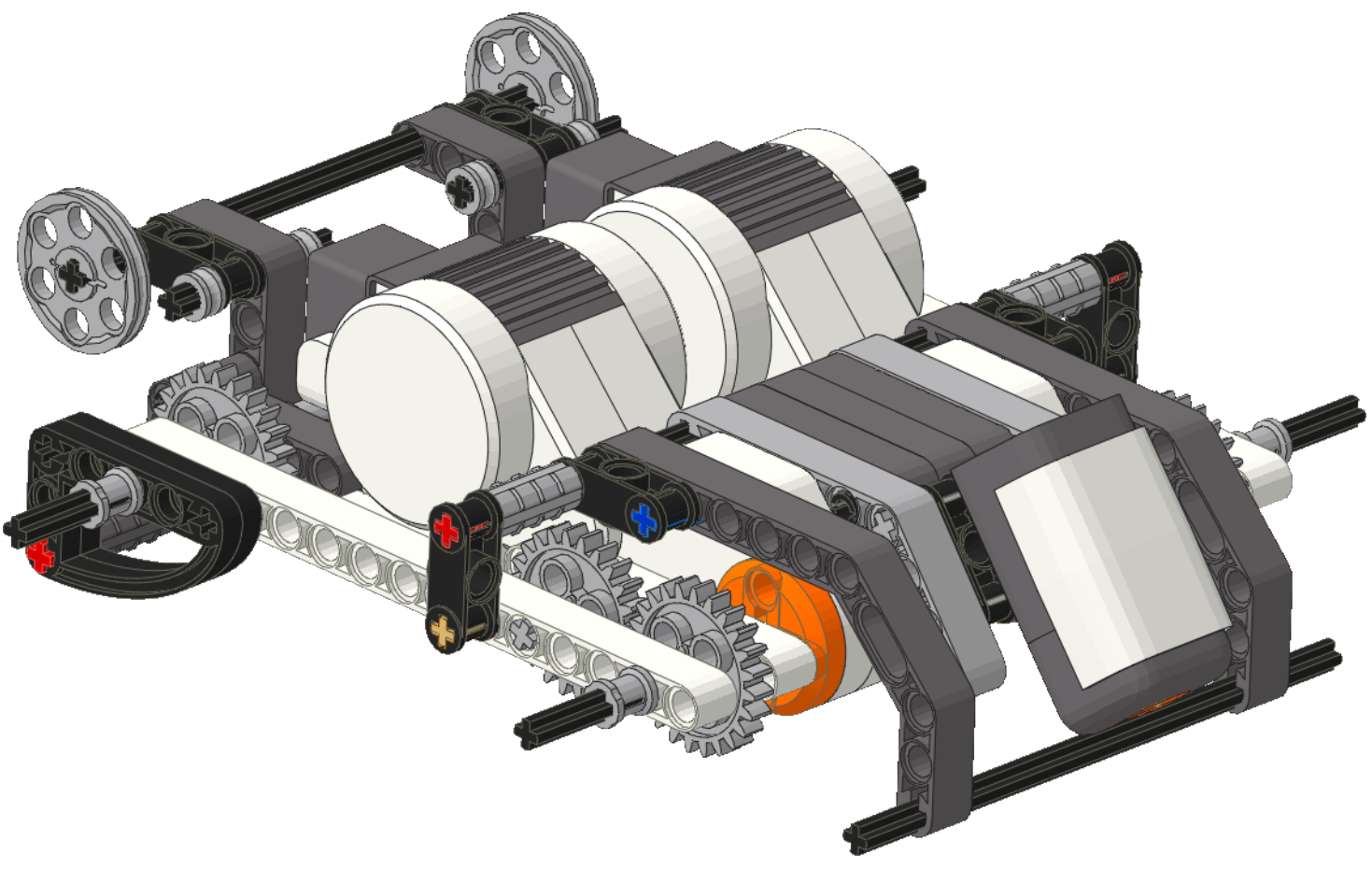
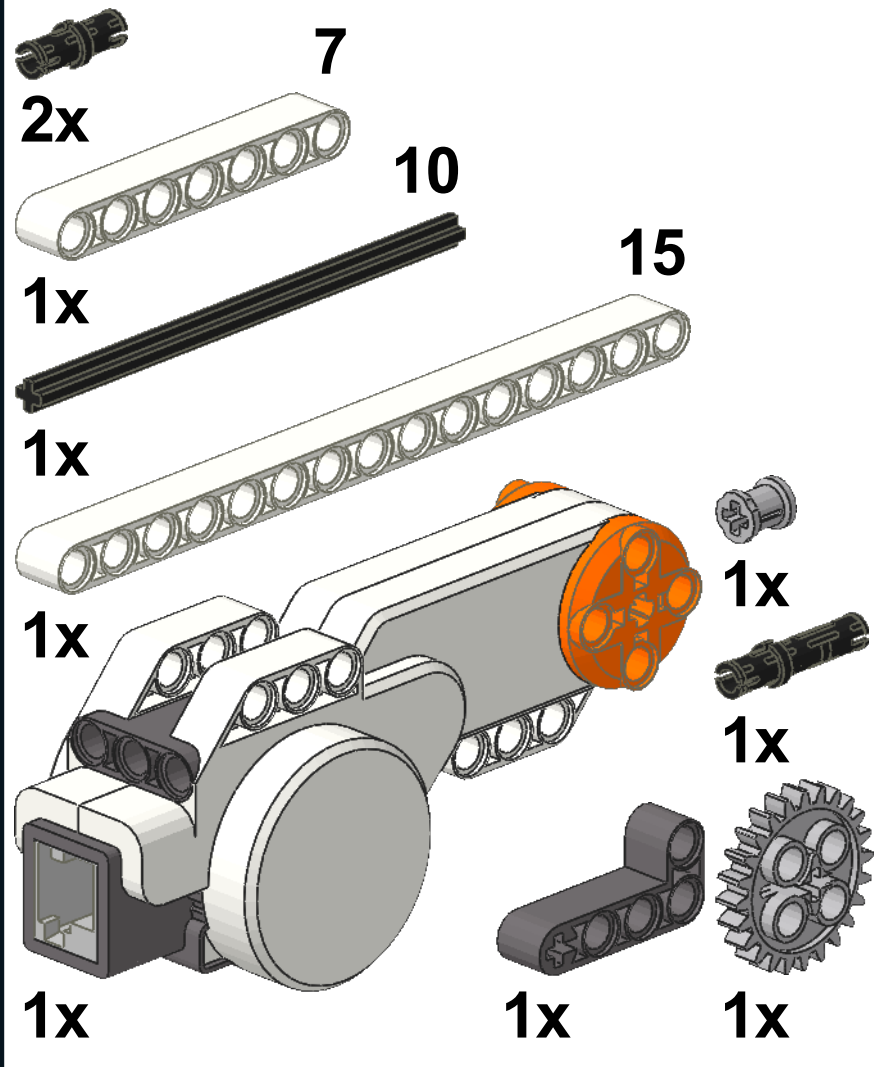
7




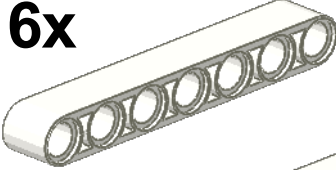
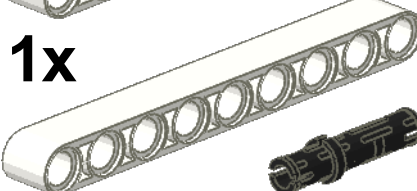

8

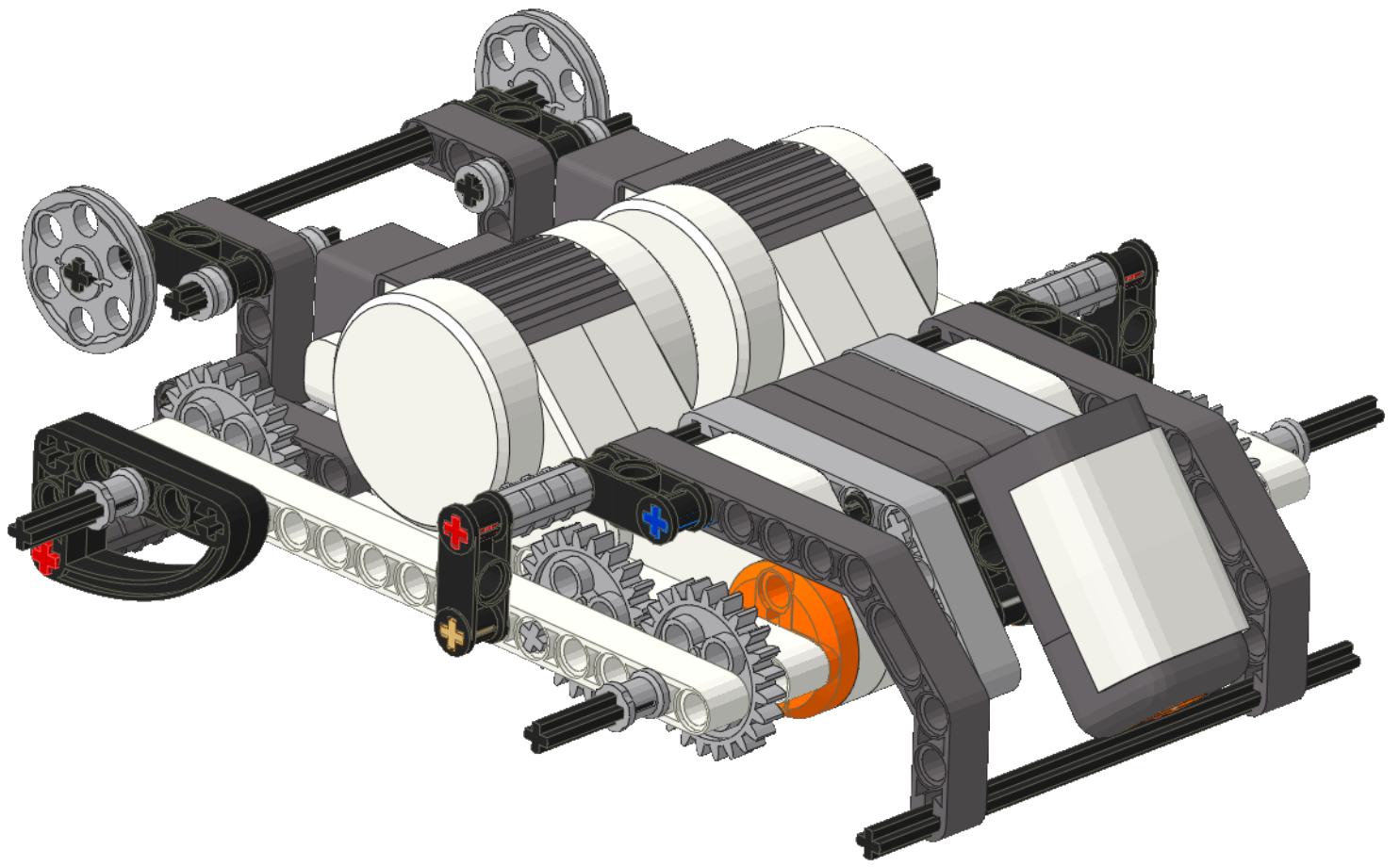


9

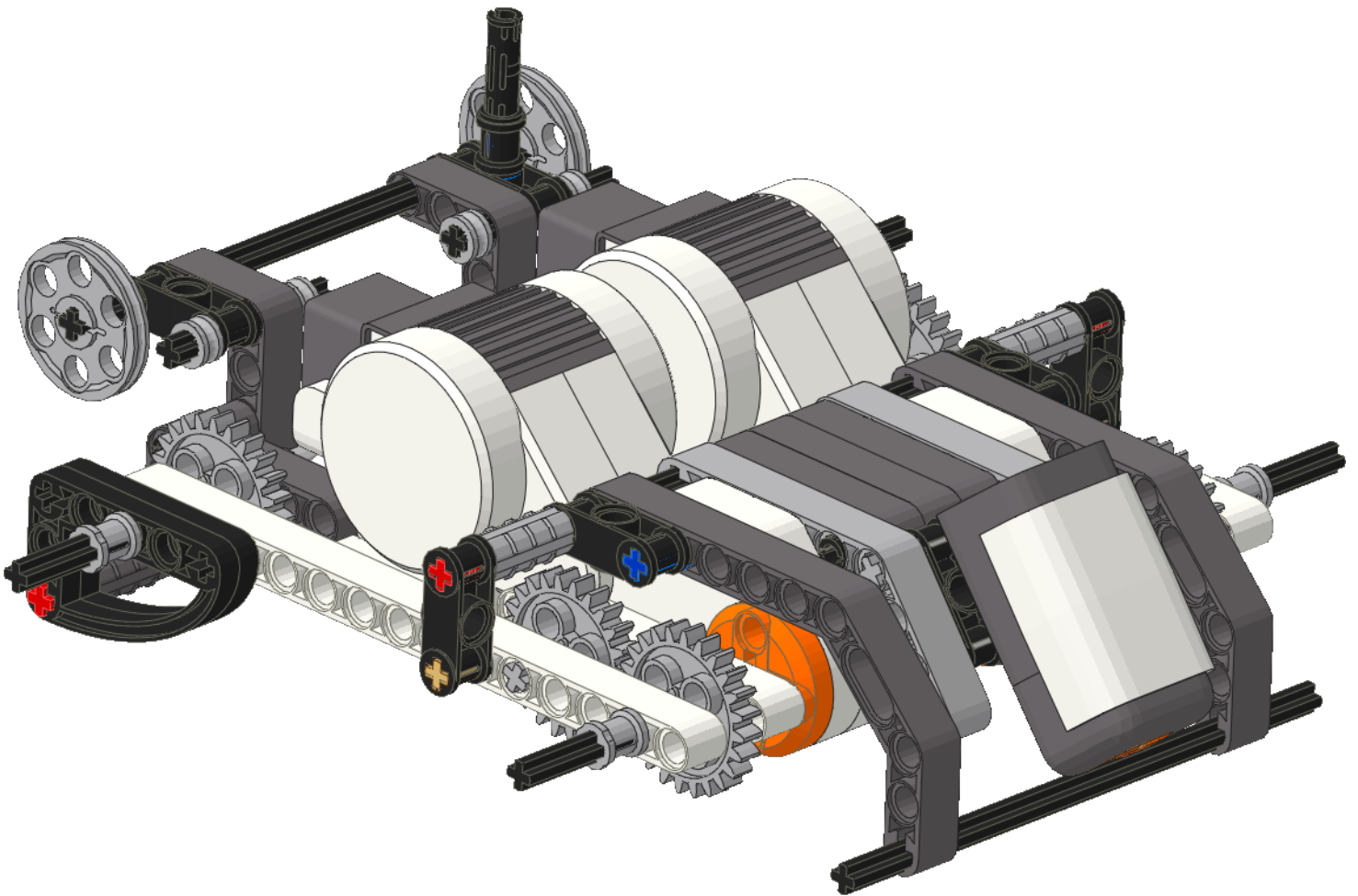


10

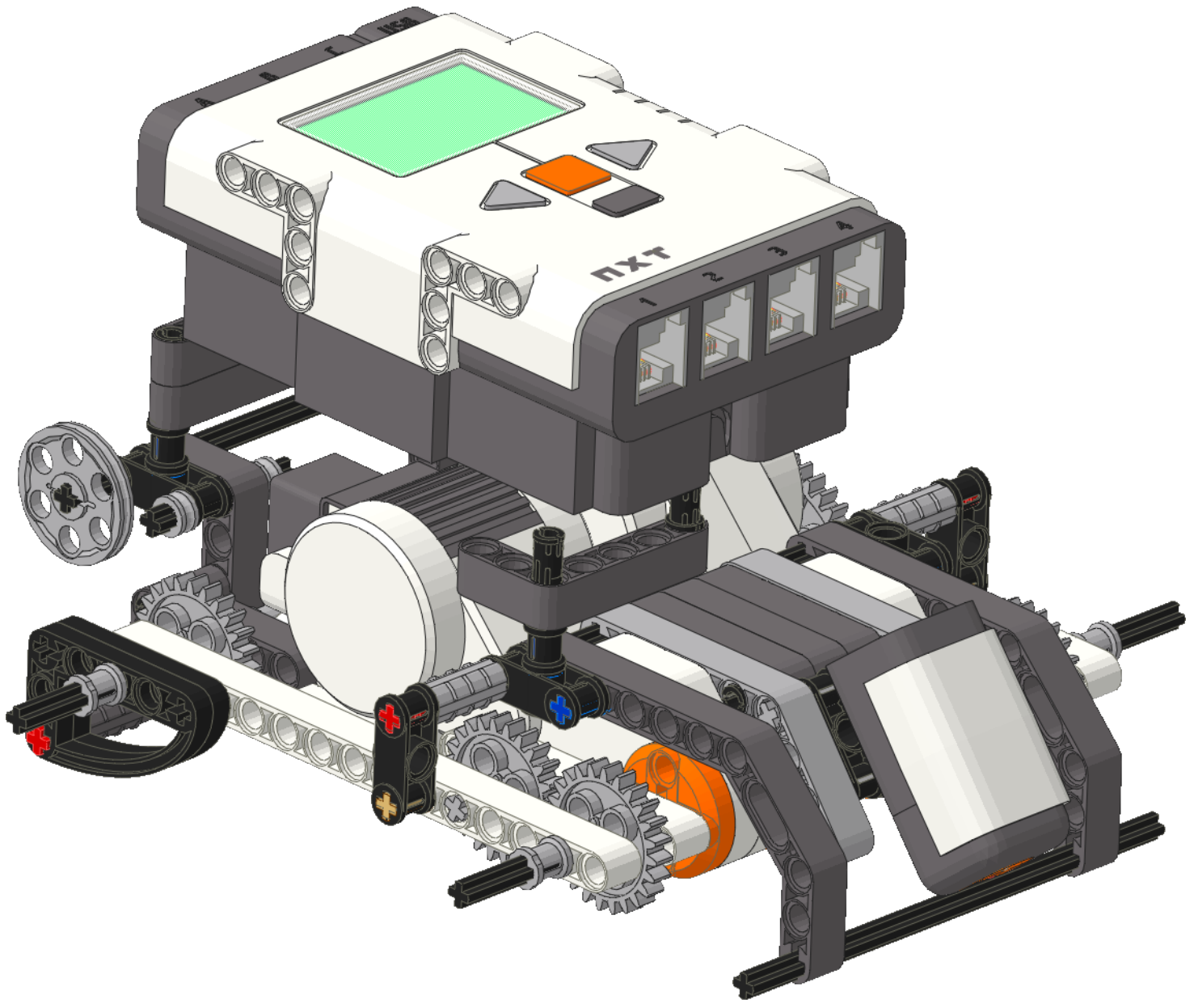
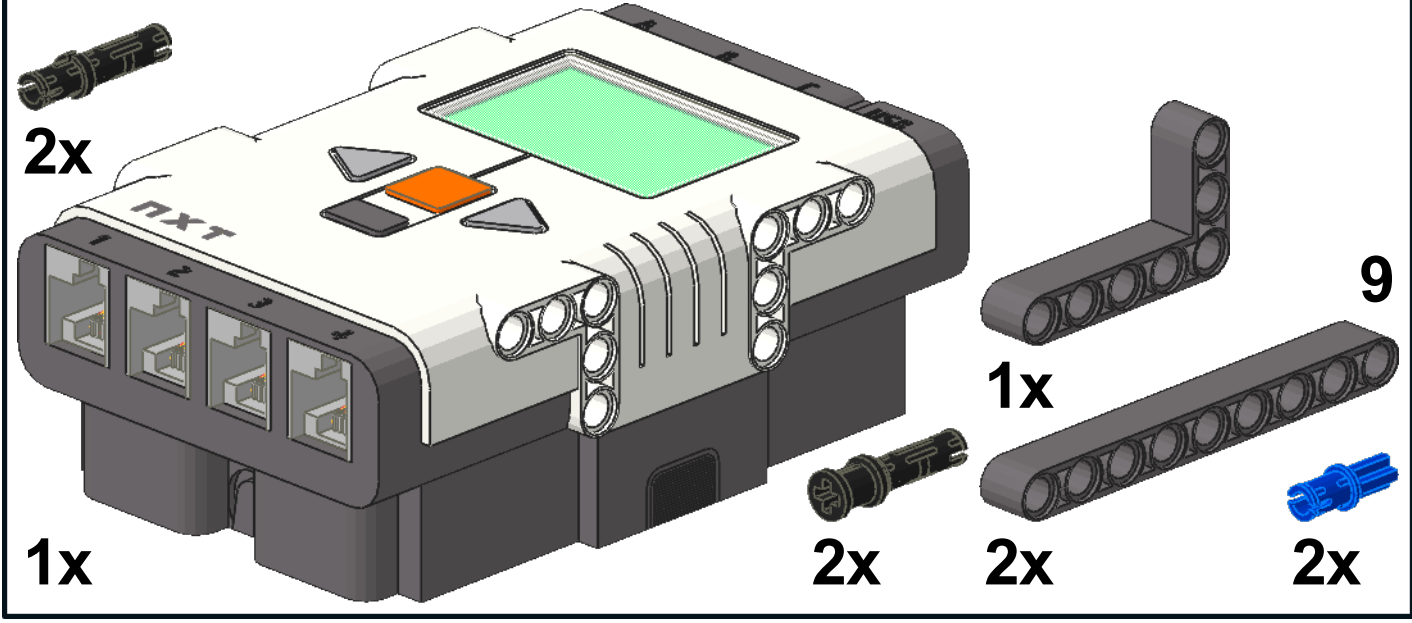
	7
6x 	
1x 	9
1x 	
	2x



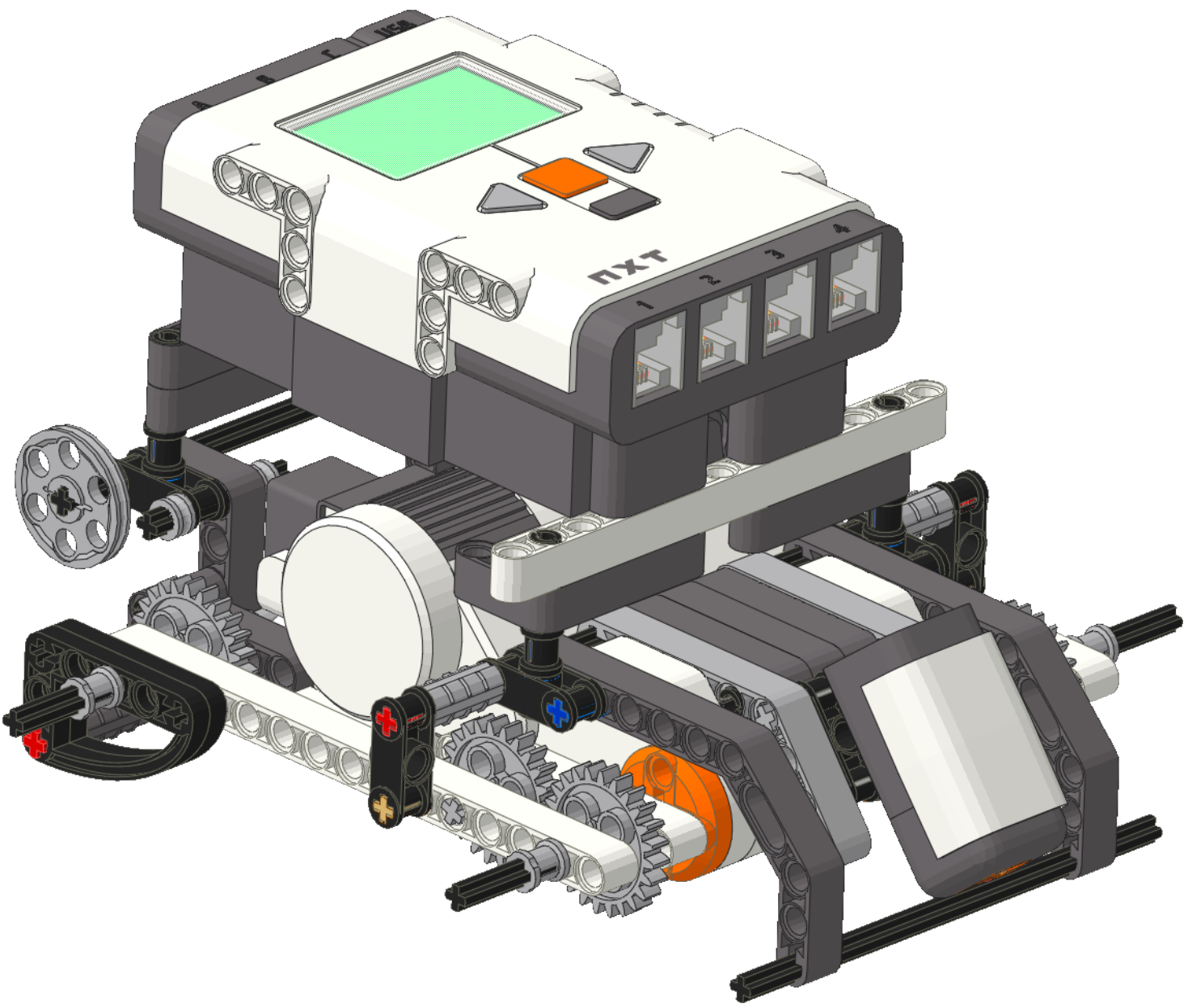
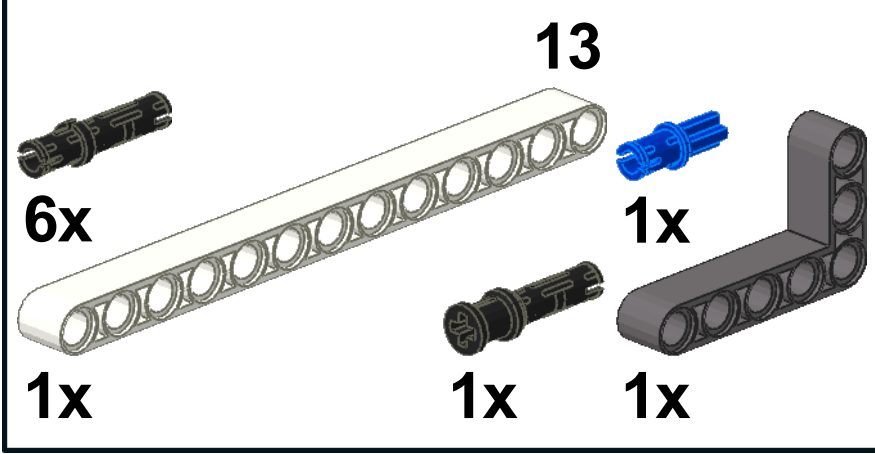
11



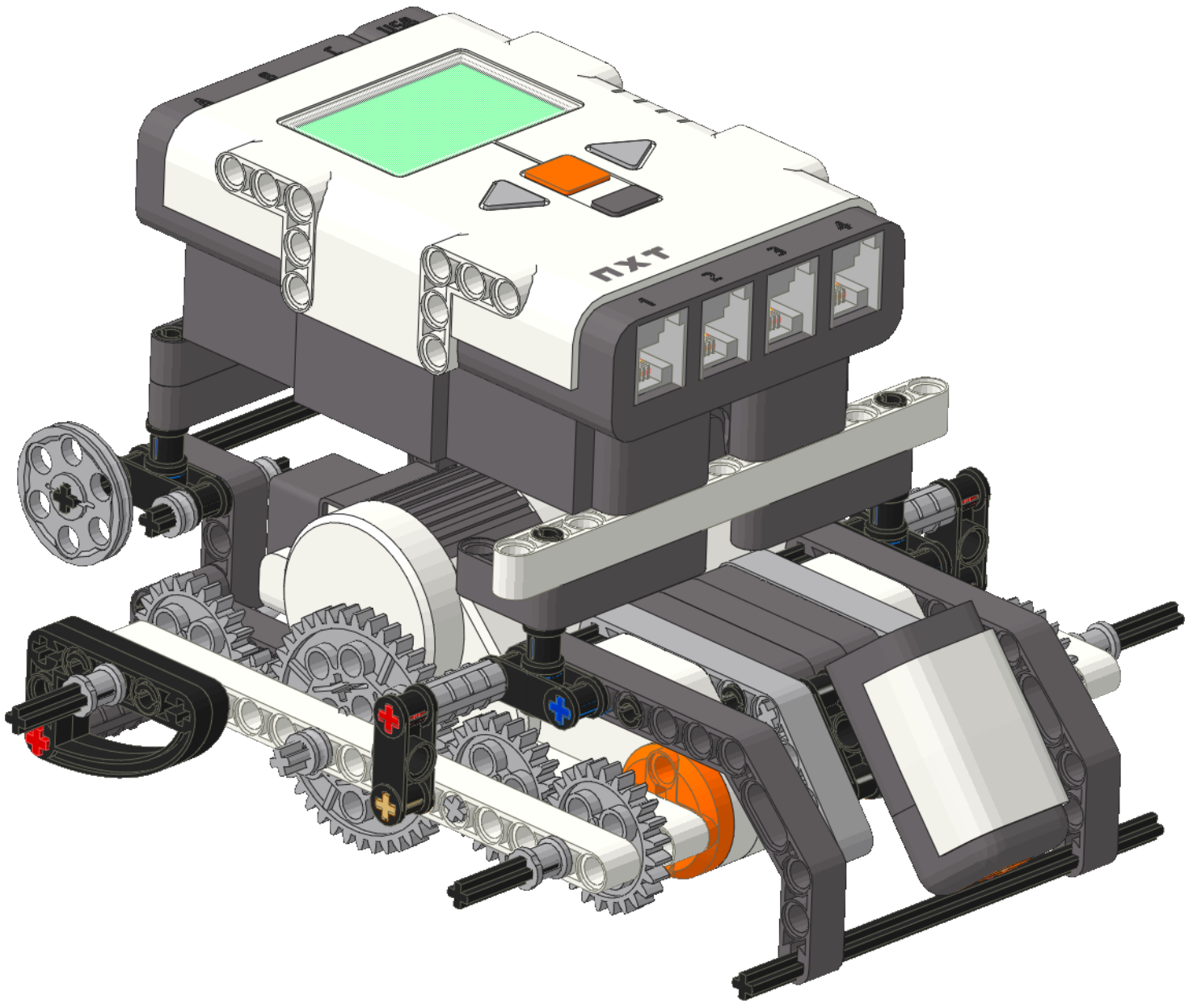
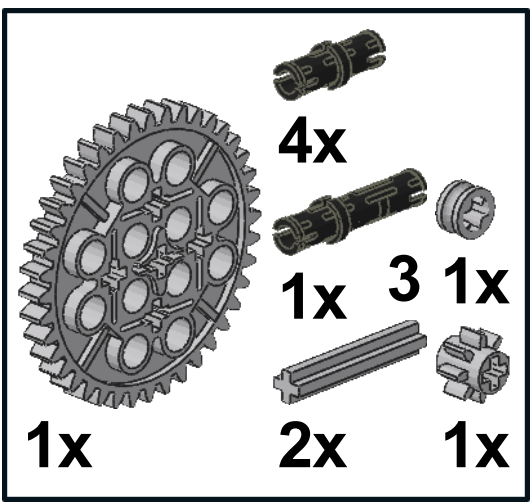
12



13



14



15

